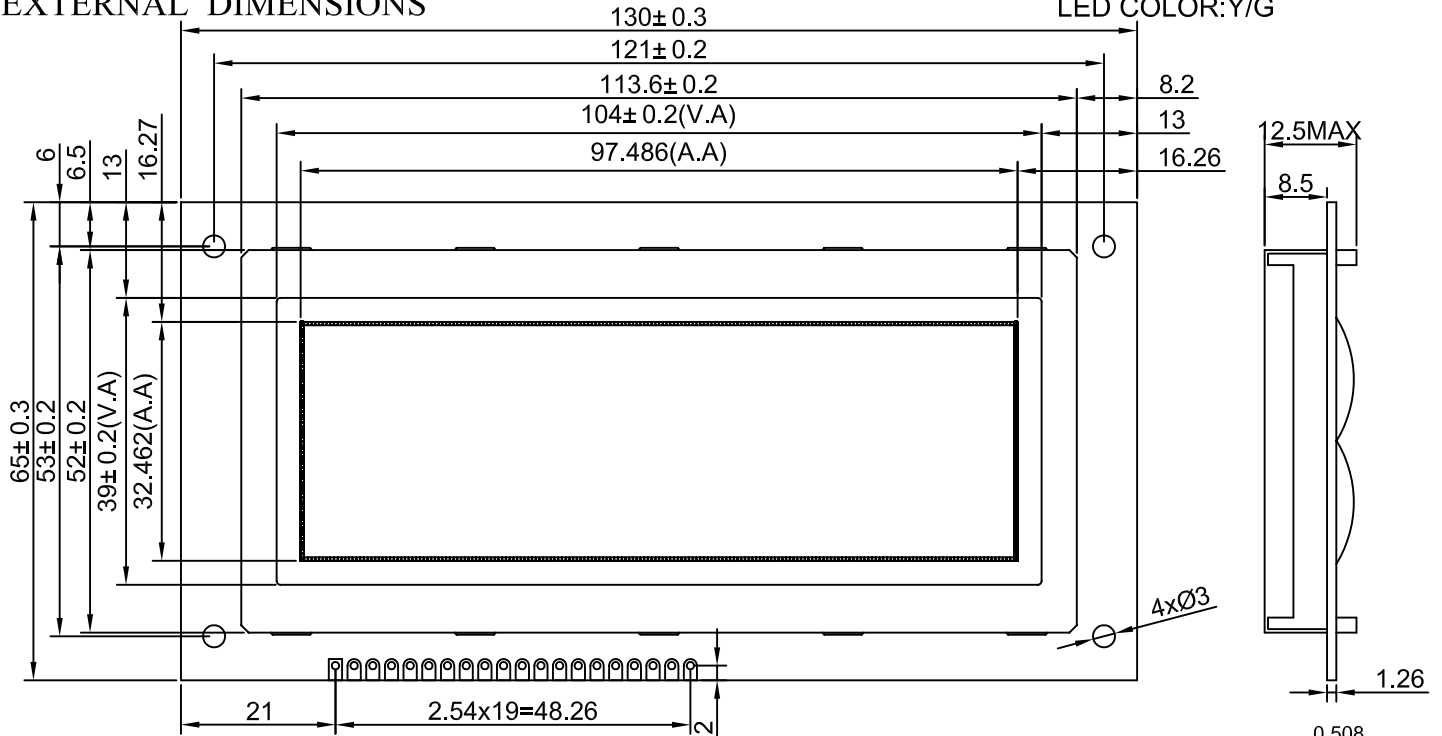


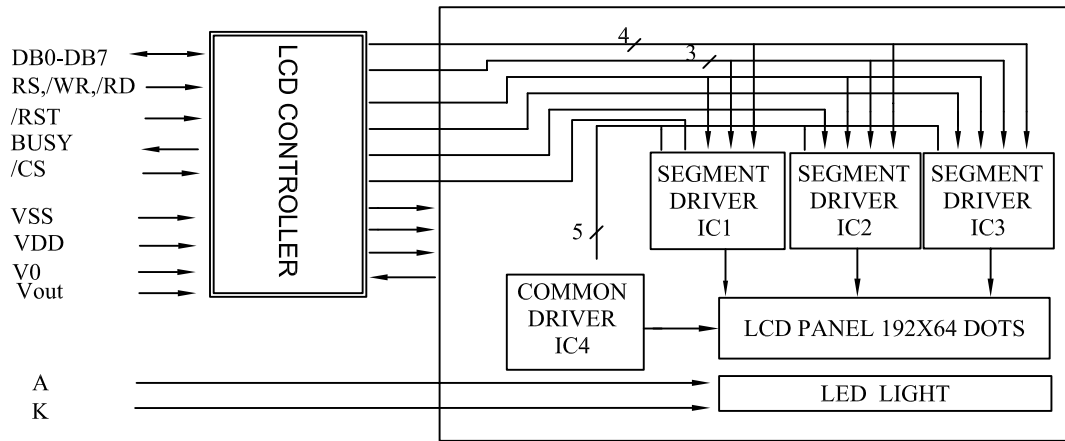
# YXD-CF19264A

192 X 64 DOTS STN(Y/G)  
 1/64 DUTY, 1/9 BIAS  
 TRANSFLECTIVE  
 LED BACKLIGHT  
 LED COLOR: Y/G

## EXTERNAL DIMENSIONS



## BLOCK DIAGRAM



## PIN CONFIGURATION

1	2	3	4	5	6	7	8	9	10	11	12	13	14	15	16	17	18	19	20
A	K	V0	VOUT	/RST	BUSY	DB7	DB6	DB5	DB4	DB3	DB2	DB1	DB0	/RD	/WR	RS	/CS	VDD	VSS
4.5V	0V	-7.0V	-13.0V	L		TRI-STATE I/O								L	L	H/L	L	4.5V	0V

MECHANICAL DATA		
ITEM	SPECIFICATION	UNIT
Module Size (WxHxD)	130.0 x 65.0 x 12.5	mm
Viewing Area (WxH)	104.0 x 39.0	mm
Number of Dots	192 x 64	dots
Character Size (WxH)	0.458 x 0.458	mm
Character Pitch (WxH)	0.508 x 0.508	mm

ABSOLUTE MAXIMUM RATINGS				
ITEM	SYMBOL	MIN	MAX	UNIT
Supply Voltage Logic	Vdd-Vss	-0.3	5.0	V
Supply Voltage Driver	Vdd-V0	-0.3	13.5	V
Input Voltage	Vi	Vss	Vdd	V
Operating Temperature	Ta	-20	70	° C
Storage Temperature	Tstg	-30	80	° C